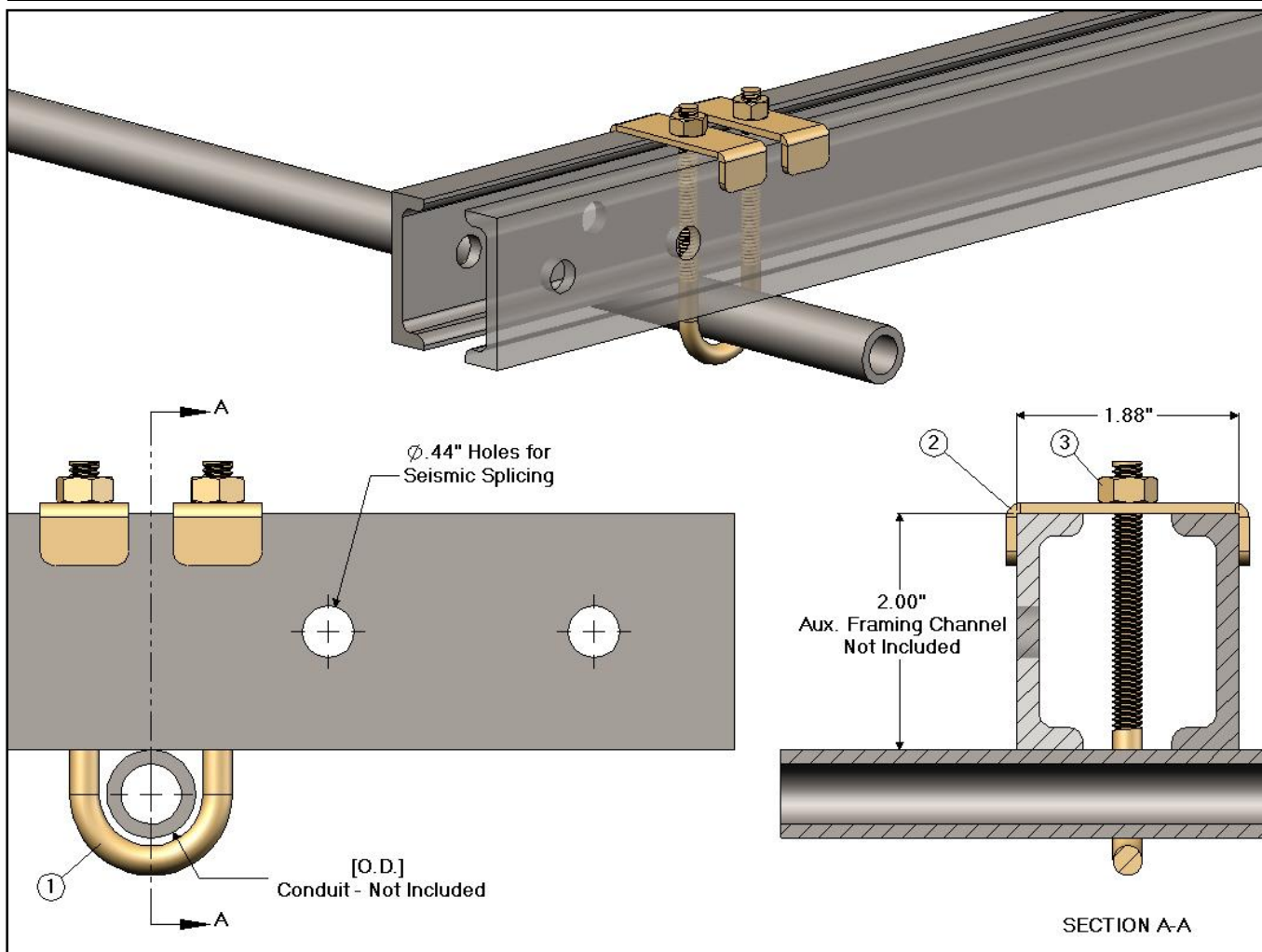


## CMB Series - Aux. Framing Channel Conduit Mounting Kit



CMB Series - Aux. Framing Channel Conduit Mounting Kit		
Item 1	CSF P/N#	Conduit [O.D.]
UB245	CMB050	Ø 3/4"
UB246	CMB075	Ø 1.00"
UB247	CMB100	Ø 1.25"
UB249	CMB150	Ø 1.62"

Installation Hardware			
Item	CSF P/N#	QTY	Description
2	FC414	2	Framing Clip
3	HN144	2	1/4-20 Hex Nut

**Notes:**

- Aux. Framing Channel - Not Included
- Conduit - Not Included
- Hardware finish is zinc yellow.

Specifications subject to change. Please contact CSF Customer Service for more information.